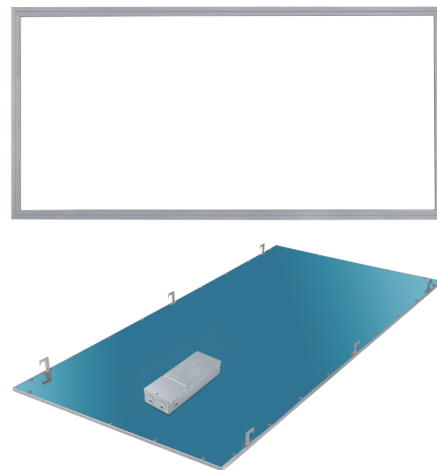
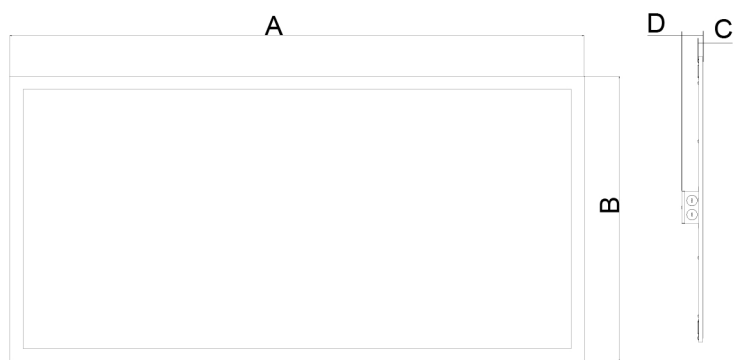


SPECIFICATION

LED PANEL LIGHT



Maximum overall	A	B	C	D
ZS-PL2*2	603mm	603mm	11mm	46mm
ZS-PL1*4	1213mm	300mm	11mm	46mm
ZS-PL2*4	1213mm	603mm	11mm	46mm



FC RoHS

FEATURES

Input voltage: AC100-277V

Operating frequency: 50/60Hz

Power factor: ≥ 0.90

Ambient temperature range: $-20^{\circ}\text{C} \sim +45^{\circ}\text{C}$

Color Temp: 3000K~5000K

Dimmable: 0-10V

THD: $< 20\%$

IP Rating: IP40

CRI: $> 80\text{Ra}$

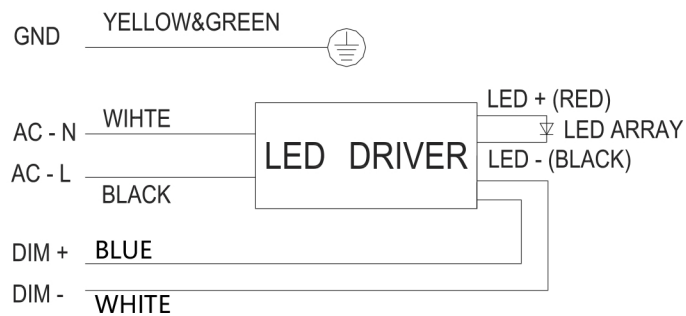
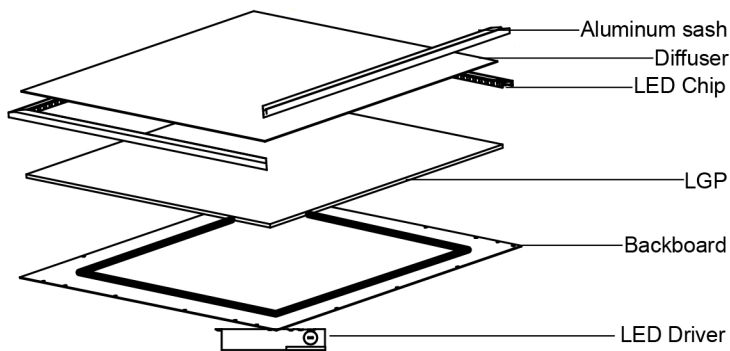
Beam angle: 120°

- Luminous Flux: $\geq 125\text{lm/w}$
- Housing material: 6063-T5
- 5 years' warranty

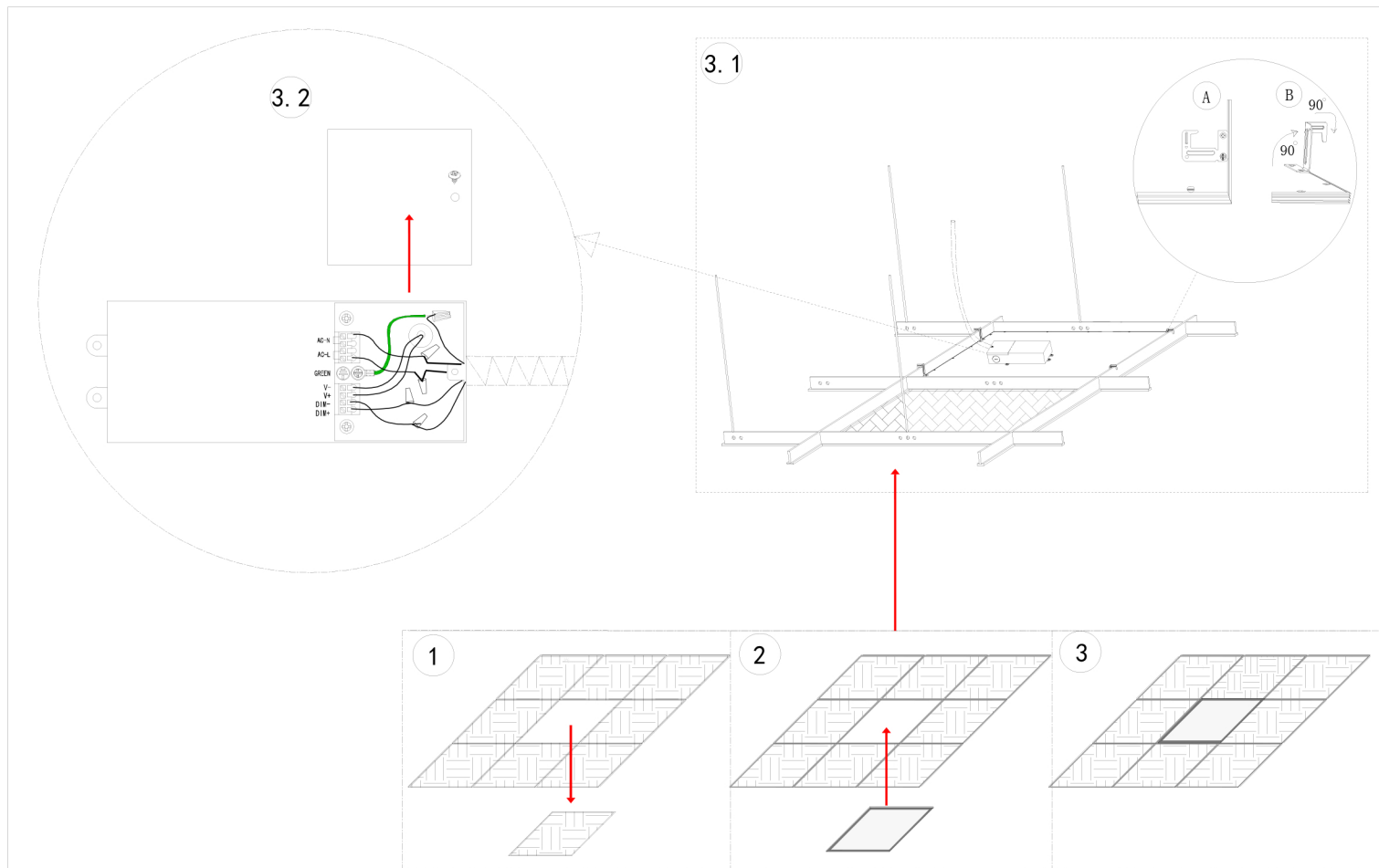
PARAMETER

Length	Product code	Certification	CRI	Description		Lumens 3000-5000K	Packing/carton	G.W./carton
				Wattage	Dimmable			
2*2FT	ZS-PL2*2(39W)	ETL/cETLus,DLC4.3,	> 80	39W	0-10V dimming	4875 LM	640*155*640mm 4 pieces 1*40HQ Loading=4320pcs	16.5kg
2*4FT	ZS-PL2*4(54W)	ETL/cETLus,DLC4.3,	> 80	54W	0-10V dimming	6750 LM	1250*155*640mm 4 pieces 1*40HQ Loading=2160pcs	26kg

MOUNTING GUIDES



INSTALLATION INSTRUCTION



Step1: Turn off power before installation, and take one ceiling off. Bend hang buckle by 90°, making it vertical to the rear cover of panel light (Figure 3.1A). Bend hang buckle top part by 90° (Figure 3.1B).

Step2: Place the panel light into the T-bar. Ensure the lights are attached to the ceiling. (Figure 3.1)

Step3: Open the cover of junction box, connect the AC wire correctly (L=black, N=white). the ground connect to the green wire. (Figure 3.2)

Warning:

Ensure the power supply has been cut off before connecting the wire, and all wiring and installation of this product are required to be operated by professionals.